



# PRS-4 OST Deluxe Bench Mount Trimmer Stand

Park Tool Co. 5115 Hadley Ave. N., St. Paul, MN 55128 (USA) www.parktool.com

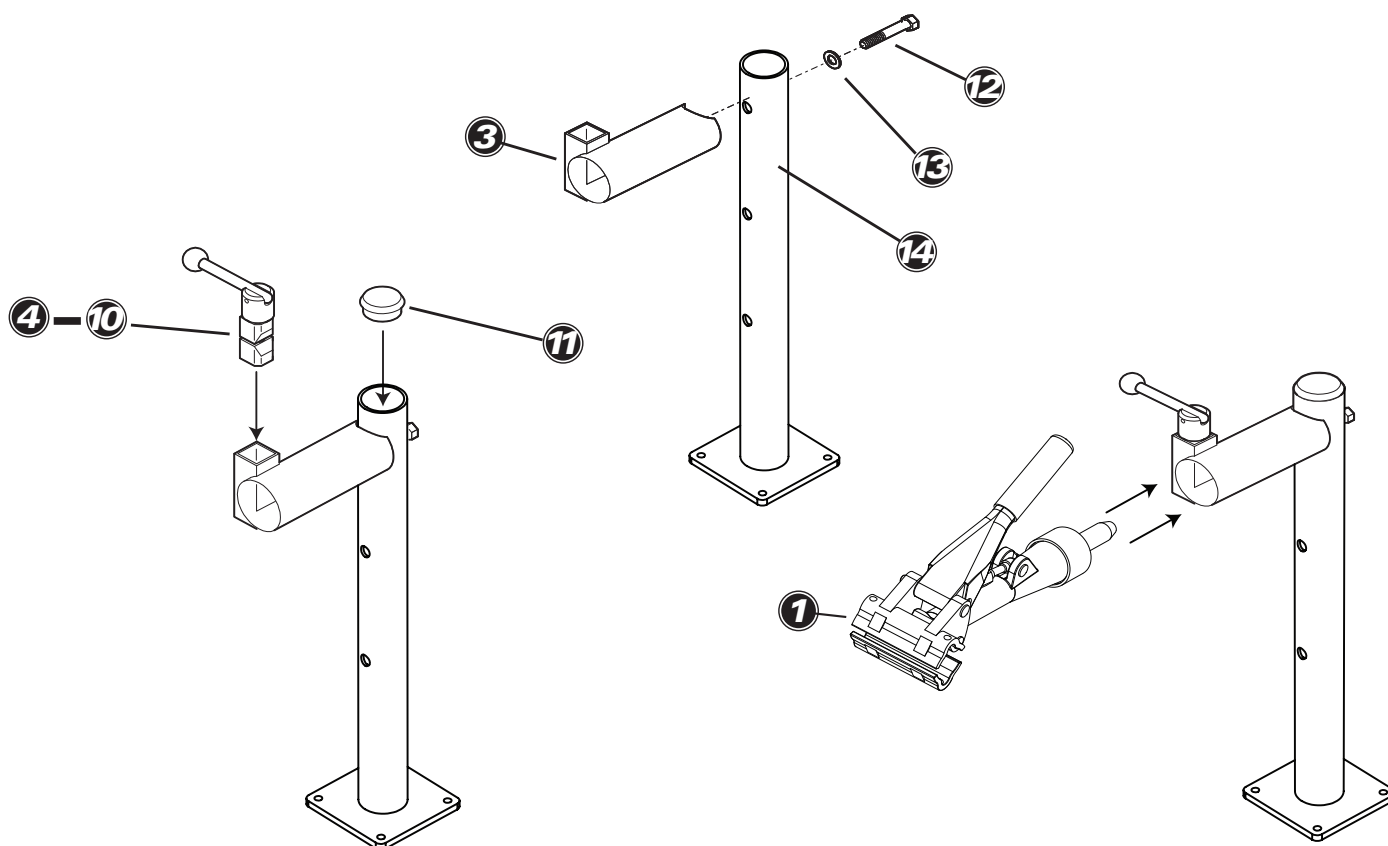
## Assembly

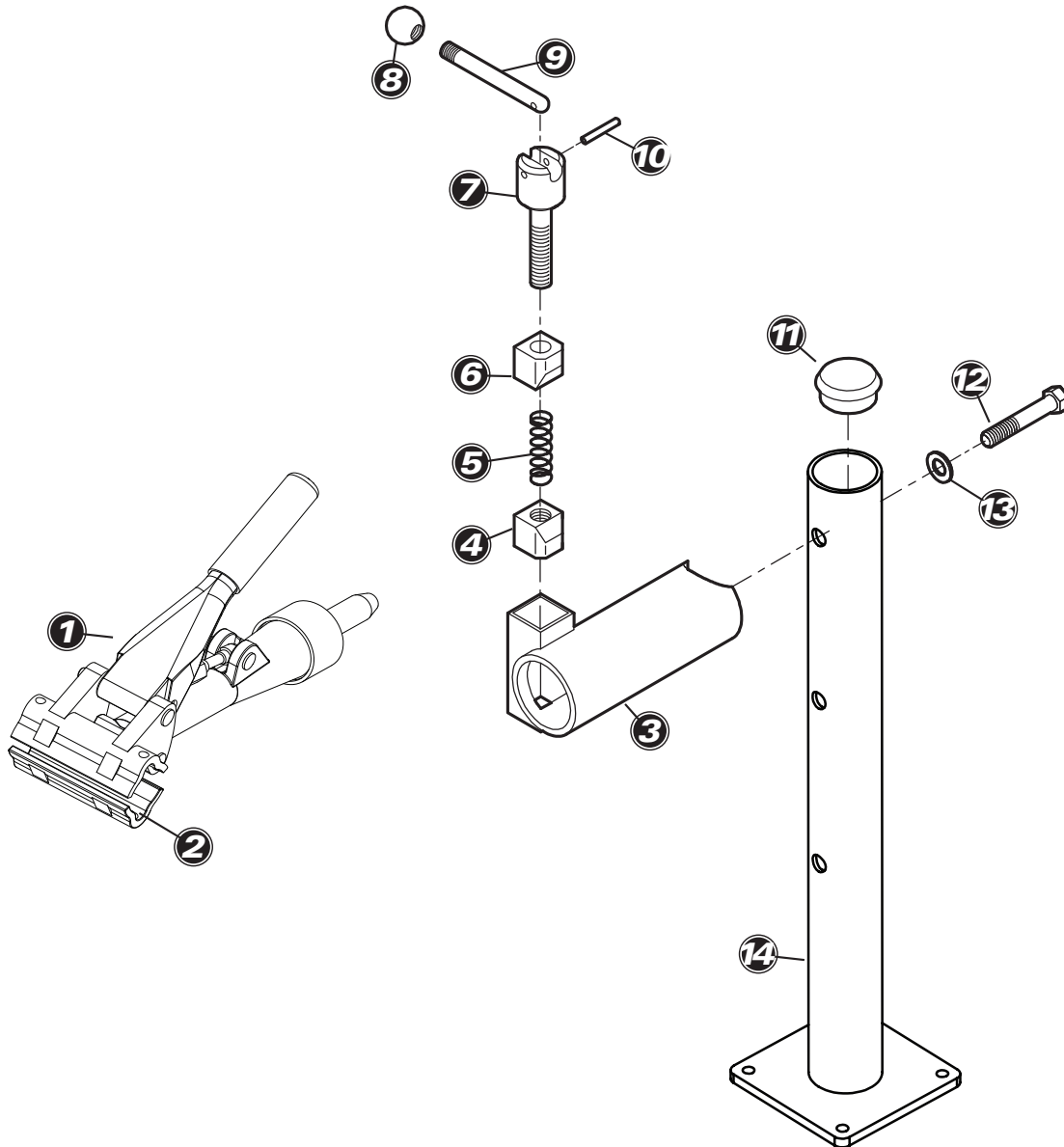
1. Secure bench support weldment (#14) to bench using appropriate through bolts or lag bolts (not included).
2. Select desired mounting hole on bench support weldment and attach horizontal tube (#3) using hex head bolt (#12) and washer (#13).
3. Place lock block assembly (#4-10) into square tube on horizontal tube. Press end cap (#11) into top of bench support weldment.
4. Place clamp (#1) into horizontal tube and tighten handle of lock block assembly to secure.

## Clamp Rotational Adjustment

The clamp on the PRS-4 OST can be rotated 360 degrees, allowing easy access to any component of the trimmer. To adjust the angle of the clamp:

1. Loosen handle on lock block assembly (#9).
2. Rotate clamp (#1) to desired position.
3. Retighten handle of lock block assembly to secure clamp.





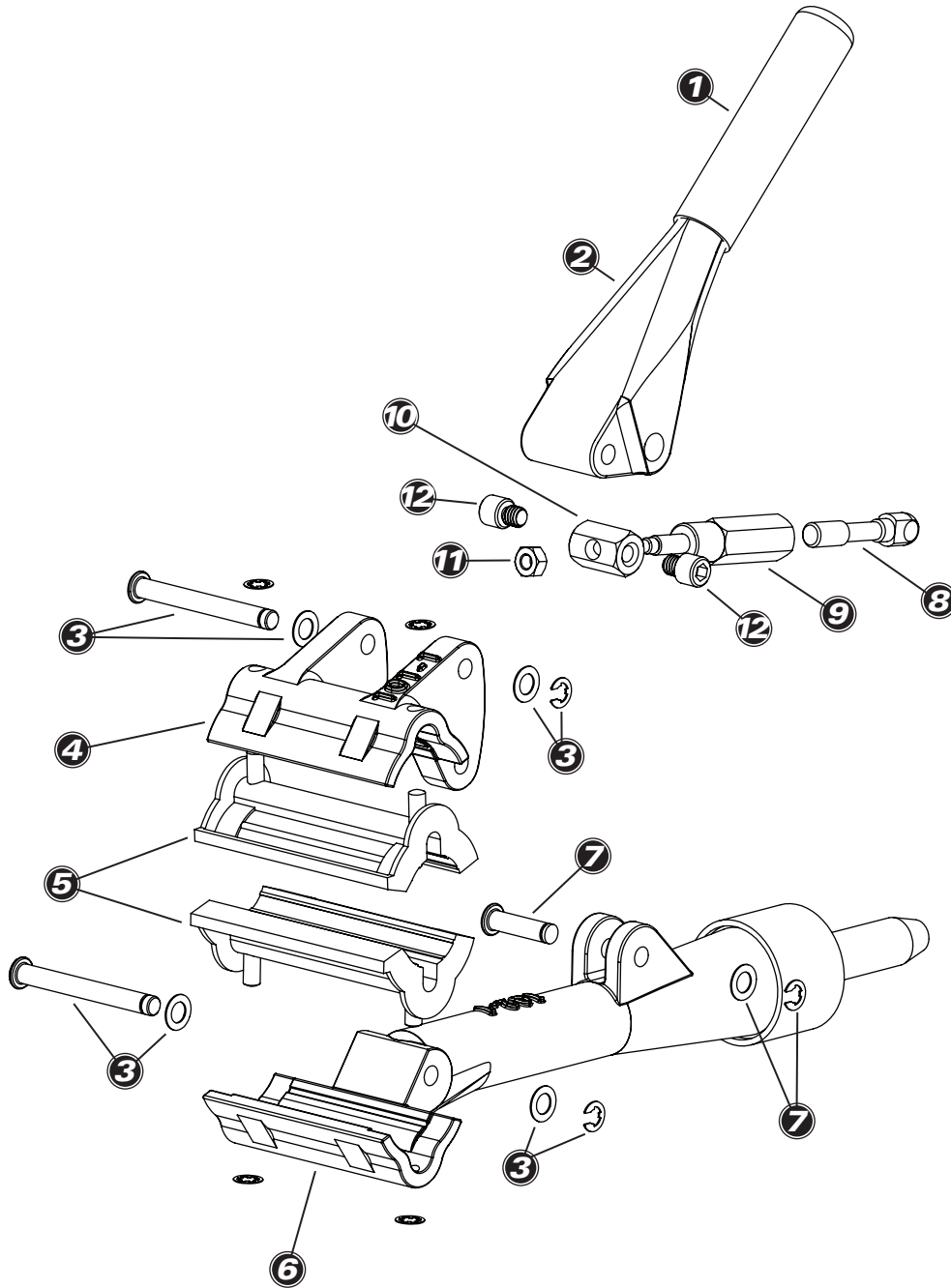
Part No.	Description	Qty.
① 100-3CT	Adjustable Linkage Clamp	1
② 469	Jaw Cover Set	1
③ 124A	Horizontal Tube	1
④ 113S	Threaded Lock Block	1
⑤ 115S	Spring	1
⑥ 114S	Unthreaded Lock Block	1
⑦ 112S	Lock Block Bolt Assembly	1
⑧ 110S	Ball Knob	2

Part No.	Description	Qty.
⑨ 111S	Locking Lever	1
⑩ 109S	Spring Pin 5/32" x 1-1/4"	1
180	Lock Block Assembly (includes items 4 through 10)	1
⑪ 179A	End Cap	1
⑫ 128B	Bolt 7/16 - 14 x 2-1/2"	4
⑬ 128-3	Washer 7/16"	1
⑭ 182A.2	Bench Support	1



# 100-3CT & 100-5CT Adjustable Linkage Repair Stand Clamp

Park Tool Co. 6 Long Lake Rd. St. Paul, MN 55115 (USA) www.parktool.com



Part No.	Description	Qty.
① 138	Handle Grip	1
② 103S	Handle	1
③ 107S-2	Pin with Washer and Circlip	2
④ 101-3	Moveable Jaw	1
⑤ 469	Jaw Cover Set (Includes Circlips)	1
⑥ 102-3	Rotating Shaft (100-3C clamp only)	1
102-5	Rotating Shaft (100-5C clamp only)	1

Part No.	Description	Qty.
⑦ 108S-2	Pin with Washers and Circlip	1
⑧ 117S-1	Eyebolt	1
⑨ 118S	Adjusting Barrel	1
⑩ 121S	Adjusting Barrel Pivot	1
⑪ 136	Nut 1/4" - 28	1
122S	Linkage Assembly, Includes Items 8 through 11	1
⑫ 116S	Cap Screw	2