



PCS-4T Portable Trimmer Stand

Park Tool Co. www.parktool.com

Assembly and Setup

Assemble upper and lower leg tubes (#9 and #12) with left and right elbows (#10 and #11) and bolts (#14) and nuts (#15). Press end caps (#13) on lower legs. The end caps are eccentric so they can be rotated to level the PCS-4 on uneven surfaces (Figure 1).

Attach leg assemblies to upright weldment (#8) using bolts (#14) and nuts (#15). Tighten bolts and nuts until play is removed but legs are free to fold together for storage (Figure 2).

Loosen socket head cap screw on sleeve assembly (#7). Press sleeve assembly onto upright weldment (#8) so half the sleeve fits over the upright and half the sleeve extends above the upright. Tighten socket head cap screw with 4mm hex wrench but do not over tighten (Figure 3).

Open quick release lever on sleeve assembly (#7). Install extension tube (#6) into sleeve assembly and upright weldment tube. Set extension tube at desired height and close quick release lever to lock. If quick release assembly does not securely lock extension tube, open quick release lever, tighten nut and close lever to lock (Figure 4).

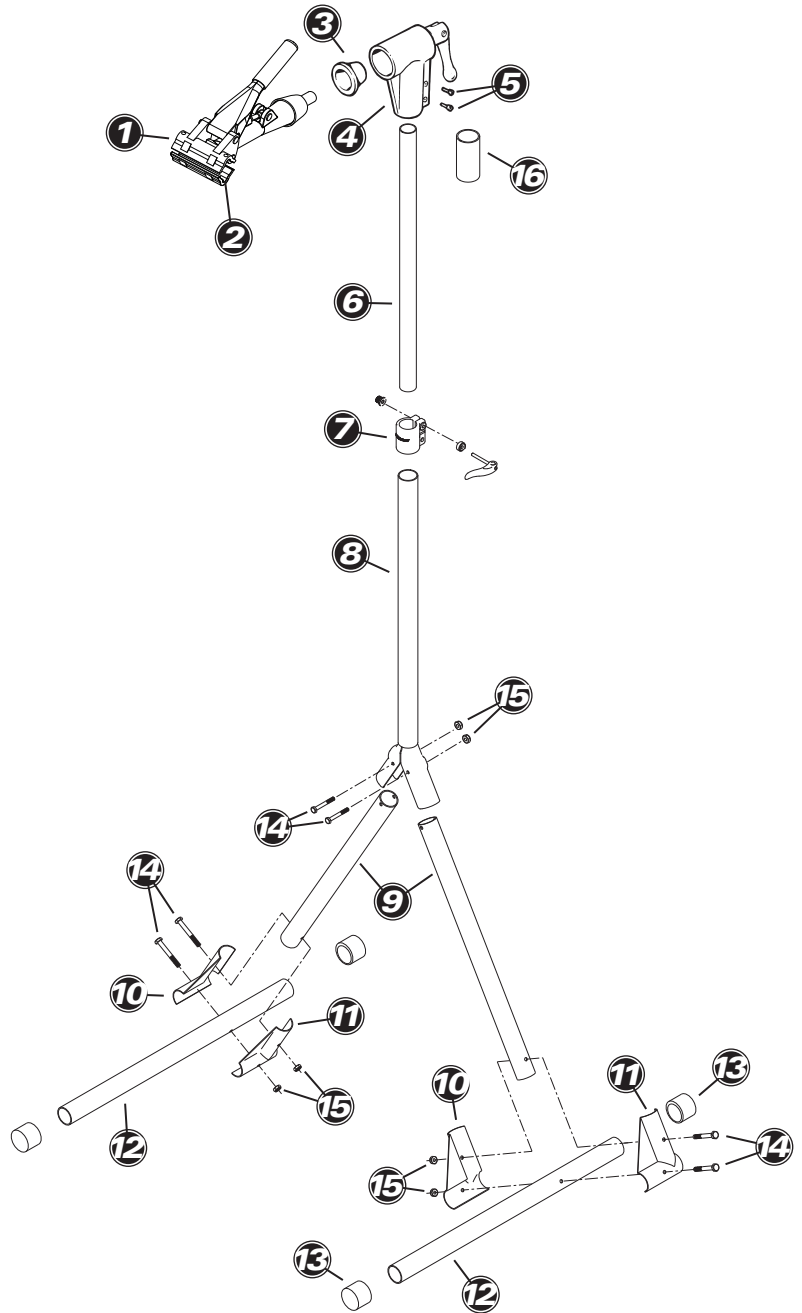
Note: At least 7" of extension tube must be inserted into the sleeve assembly and upright weldment tube.

Press nylon shim (#16) and top tube assembly (#4) onto extension tube (#6). Tighten socket head cap screws (#5) with 4mm hex wrench but do not over tighten (Figure 5).

Place tapered sleeve (#3) on tapered portion of clamp (PCS-4-1 only). Place clamp (#1 or #2) in top tube assembly (#4) and engage threads of handle with threads of clamp. Turn handle clockwise to secure clamp (Figure 6).

Notes

- The clamp of the repair stand can be rotated 360 degrees, allowing easy access to any component of the trimmer. To adjust the rotational angle of the clamp, loosen the handle on the back of the top tube assembly, rotate the clamp to the desired position and re-tighten the handle to lock the clamp.
- To avoid injury and/or damage to the trimmer or the stand, always remove the trimmer from the stand before making height adjustments.



Part No.	Description	Qty.
① 100-5CT	Adjustable Linkage Clamp	1
② 469	Jaw Cover Set	1
③ 149	Tapered Sleeve	1
④ 939C	Universal Top Tube Assembly	1
⑤ 943-1/944	M5 x 25 Socket Head Cap Screw with 5mm nut	2
⑥ 927	Extension Tube	1
⑦ 928A	Sleeve Assembly	1
⑧ 185-2R	Upright Weldment	1

Part No.	Description	Qty.
⑨ 472-2	23" Upper Leg Tube	2
⑩ 474-2L	Left Elbow	2
⑪ 473-2R	Right Elbow	2
⑫ 475-2	26" Lower Leg Tube	2
⑬ 190-2	Leveling End Cap	4
⑭ 479-6	Hex Head Bolt 1/4 - 20 x 2	6
⑮ 480-6	Jam Nylok Nut 1/4 - 20	6
⑯ 926	Nylon Shim	1



PCS-4T Portable Trimmer Stand

Park Tool Co. www.parktool.com

Figure 1

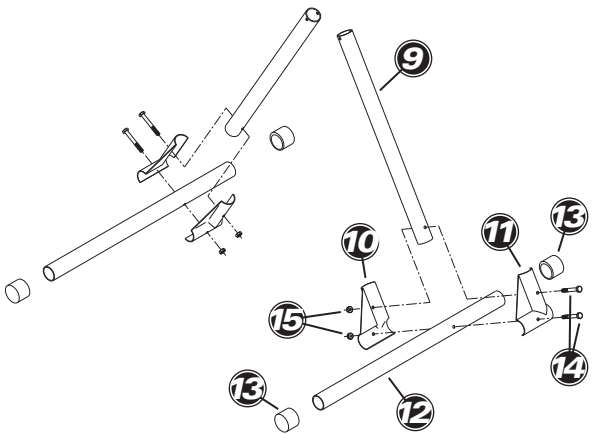


Figure 2

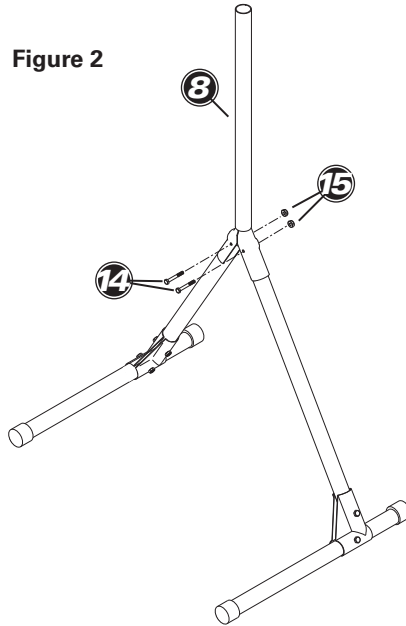


Figure 3

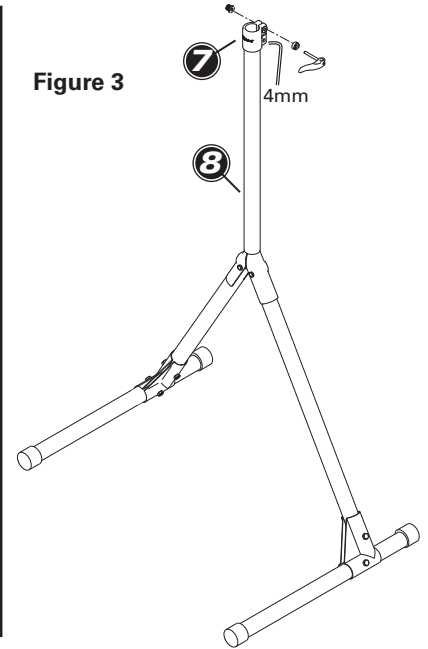


Figure 4

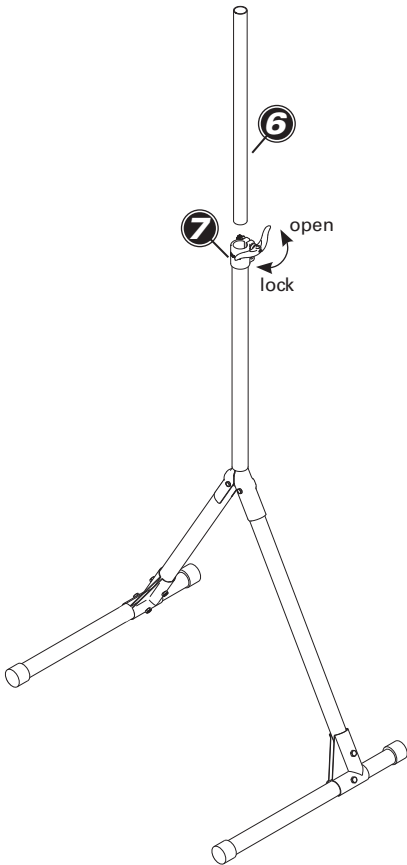


Figure 5

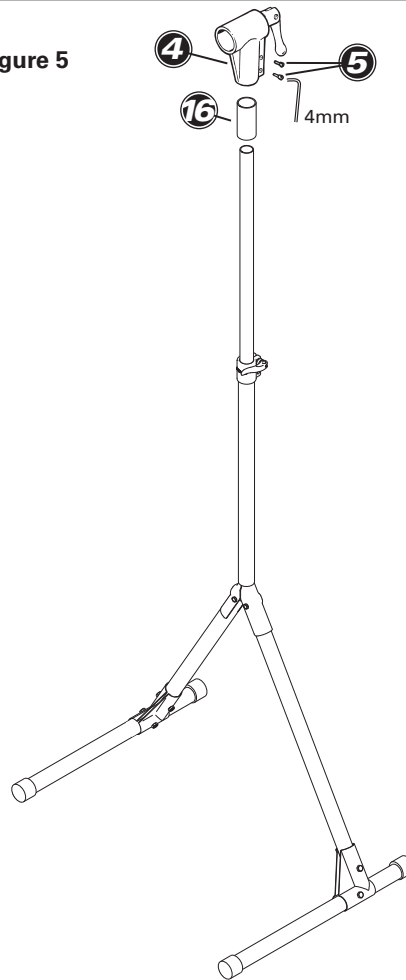
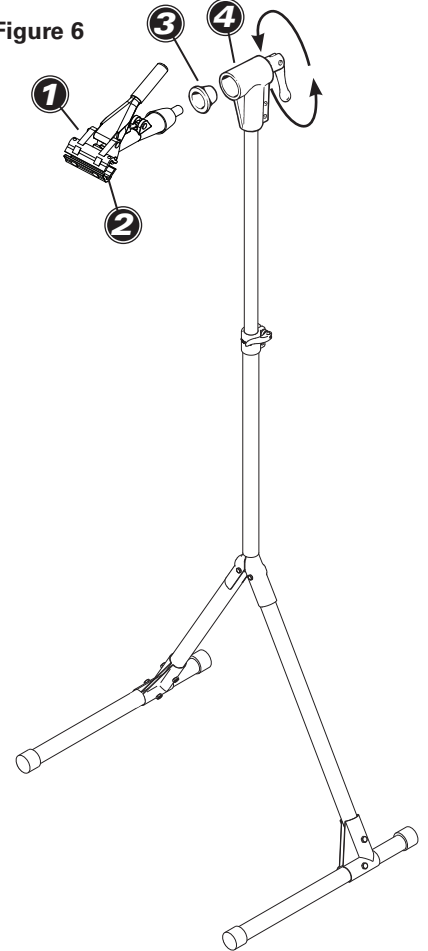


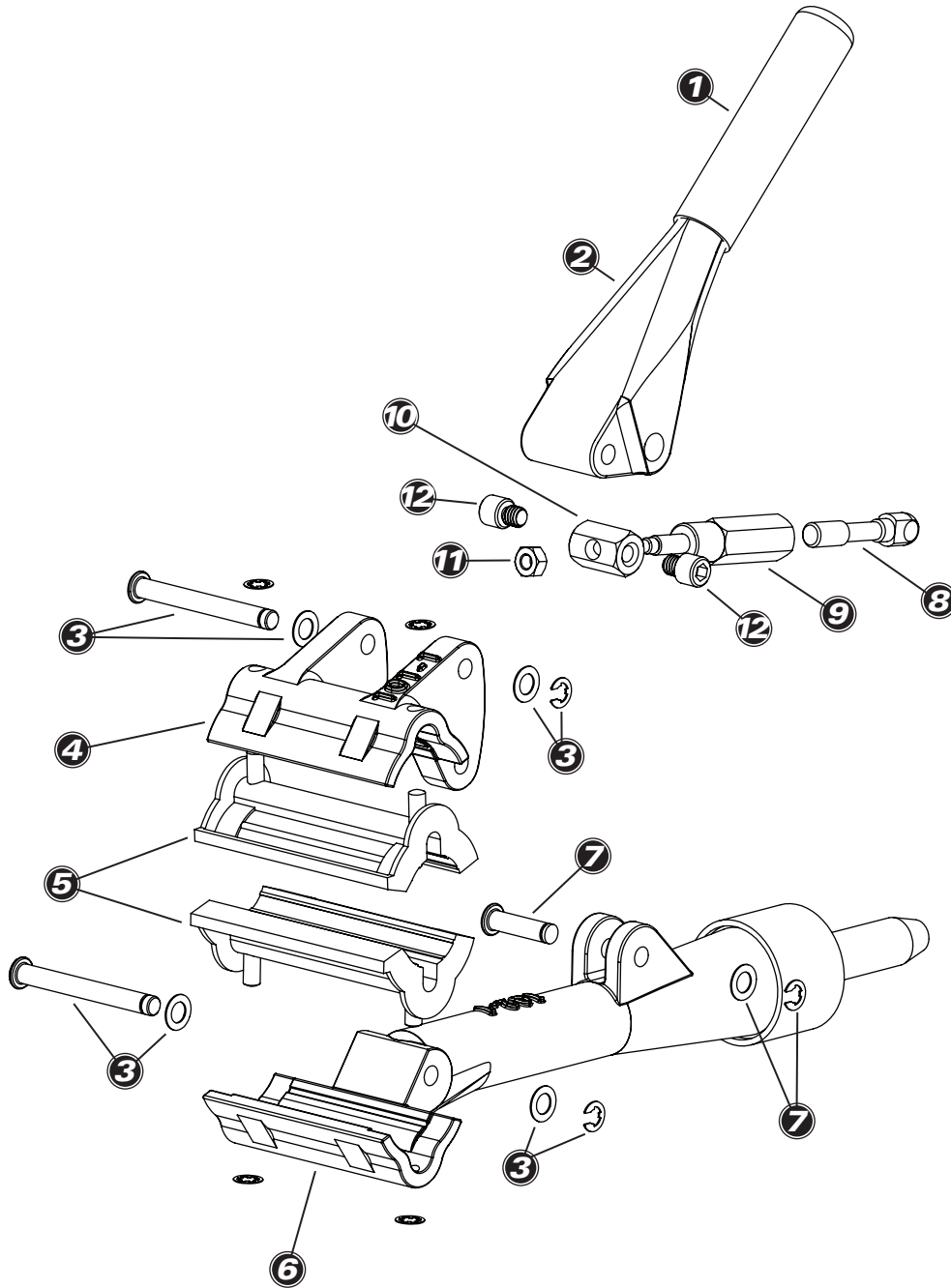
Figure 6





100-3CT & 100-5CT Adjustable Linkage Repair Stand Clamp

Park Tool Co. 6 Long Lake Rd. St. Paul, MN 55115 (USA) www.parktool.com



Part No.	Description	Qty.
① 138	Handle Grip	1
② 103S	Handle	1
③ 107S-2	Pin with Washer and Circlip	2
④ 101-3	Moveable Jaw	1
⑤ 469	Jaw Cover Set (Includes Circlips)	1
⑥ 102-3	Rotating Shaft (100-3C clamp only)	1
102-5	Rotating Shaft (100-5C clamp only)	1

Part No.	Description	Qty.
⑦ 108S-2	Pin with Washers and Circlip	1
⑧ 117S-1	Eyebolt	1
⑨ 118S	Adjusting Barrel	1
⑩ 121S	Adjusting Barrel Pivot	1
⑪ 136	Nut 1/4" - 28	1
122S	Linkage Assembly, Includes Items 8 through 11	1
⑫ 116S	Cap Screw	2